



# Garage Door

## price list



Style, Quality  
& Great Value



JANUARY 2025



Product Guarantees	Page 3
Steel Up & Over	Page 4 - 5
Composite Up & Over & Side Hinged	Page 6 - 7
Classic Steel Side Hinged	Page 8
Pro Side Hinged	Page 9
Pro 20 Side Hinged	Page 10
Pro Therma Side Hinged	Page 11
Retractable & Canopy Technical	Page 12

This price list covers the complete range of Fort Doors garage doors, options and accessories. Prices shown exclude VAT and delivery.

#### GENERAL NOTES:

##### Delivery to site POA.

- Multiple doors and remote locations POA.
- All illustrations represent a 2134mm wide X 2134mm high door (7'0" x 7'0") and all sizes are listed width x height.
- Retractable up and over doors are supplied with MAXIPLUS retractable operating gear.
- Up and over doors prices are shown as unframed, but a matching factory fitted frame can be supplied.
- The position of lock handles may vary dependent on door size.
- Side hinged doors are available as 50:50 opening or 1/3 : 2/3 opening.

In the unlikely event of a warranty claim, please contact your dealer that installed your garage door and supply them details of the serial number on the side or back of the garage door.

Your dealer will supply further details of the claim along with proof of purchase to the warranty department at Fort Doors.

## Warranty period

A warranty covering the safe and reliable operation of the Fort Doors garage door for a period of 10 years from the date of purchase is given to the original purchaser, this warranty is for help and advice on the safety and reliability of the product and identifying parts and consumables in the event of a failure.

## Product Guarantee

The standard guarantee of 2 years is given to the holder of the product that covers all parts and the panel providing the serial number is readable, intact and in place. Factory applied paint finishes have 2 years on steel doors that have standard colours applied, special non-standard colours are excluded.

The product is given a 2-year warranty for the following item – springs; tracks; rollers; hinges and locking for normal use whereby normal use consists of no more than 5 operations (open/ close) per day. We recommend the product is inspected and serviced annually by a competent engineer from the garage door industry, the warranty for parts replaced by an engineer or for supply only is 6 months or for the remainder of the warranty period. All cables are excluded from the warranty given.

If warranty work is carried out the product guarantee does not extend past the anniversary of installation / supply date.

## Requirements

Warranties are valid in the UK only for European countries contact your dealer.

The product must have been purchased through one of our authorised partners

and a serial number and receipt of purchase provided.

The warranty only covers damage to the garage door in the unlikely event of a failure, no surrounding items are covered.

## Performance

During the warranty period we will rectify defects to the Fort product that can be proved to be material or manufacturing faults. At our discretion we will either exchange; repair or reduce the price. we will not accept any costs for dismantling; installation or delivery.

## Warranty exclusions.

Doors must be inspected on delivery and are only to be signed for once you are satisfied with the condition, please do not accept any item you are not satisfied with. You have 48 hours from receipt of the item to inform us of any issues. By installing the garage door, the customer acknowledges and accepts the condition of the door as it stands post-delivery, no claim for damage will be accepted once the item has been installed.

Improper transport; fitting and adjustment.

Repairs by non-qualified or non-competent individuals.

External influences such as fire, water, alkaline solutions, acid, bird droppings or abnormal atmospheric pollution.

The use of non-Fort Doors parts without the approval of the manufacturer.

Damage caused in general use after delivery.

All cables have a limited warranty of 2 years for parts only, cables should be checked regularly and adjusted by a recognised installer, a list of service engineers is available from the Fort customer service department. Failure to inspect, adjust or replace damaged cables early can cause a terminal failure of the product and prevent entry into the garage.

Painted doors give an outstanding finish compared to hand painted doors however they can be scratched or chipped by everyday use, refer to the

internal label for care and maintenance of your door, The paint finish is cosmetic and the front panel should be uniform when viewed from 3 meters distance, we offer a 2 year warranty against paint failure, minor blemishes in the finish are inevitable. The rear of the door will not enjoy such a uniform finish by its nature and will have a different level of coating due to the manufacturing process however this does not affect the performance of the product and all doors are supplied galvanized and Painted or galvanized only giving outstanding external use.

The rolling or pressing of steel panels during manufacturing may cause distortion in the steel and while every effort is made to keep this to a minimum, Inevitably some distortion will remain, The powder coating process may make this slight distortion more apparent, Especially under certain lighting conditions.

Doors fitted within 250m of the coast line (where the beach ends and the land begins) and inland estuary are exempt from the paint finish warranty and we recommend a GRP Composite material.

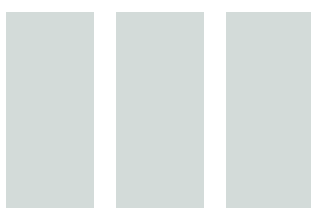
## Additional information.

It is a fundamental condition of this guarantee that the product has been installed, maintained, cleaned and serviced correctly and is used solely for which it was designed.

Incorrect installation, maintenance and service will invalidate the warranty.

The door must be kept in a clean condition and free from impact damage, any areas of paint damage must be dressed with touch up paint as soon as possible.

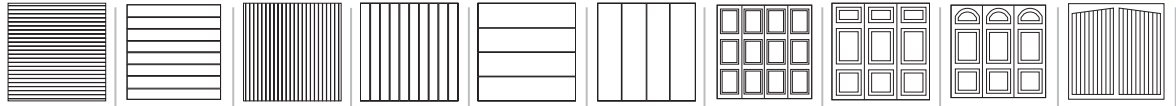
We strongly advise that you do not book an installer or remove your existing door until your goods have arrived and have been checked. We are not liable for any installation costs, consequential losses for time, travel costs, costs due to transport damage on arrival or compensation in any way. We require to be notified of any damaged goods within 48 hours of arrival.



# Steel Up & Over

## STANDARD SIZES

Key: C: Canopy R: Retractable



ORDER CODE	OVERALL FRAME SIZE mm†	HORIZONTAL STANDARD RIB		HORIZONTAL MEDIUM RIB		VERTICAL STANDARD RIB		VERTICAL MEDIUM RIB		HORIZONTAL WIDE RIB		VERTICAL WIDE RIB		DORRIDGE		HOLLINGTON		DYLAN		ALTON	
		C	R	C	R	C	R	C	R	C	R	C	R	C	R	C	R	C	R	C	R
6663	2081 x 1955	705	770	705	770	705	770	705	770	965	1030	965	1030	N/A	N/A	N/A	N/A	N/A	N/A	1080	1145
6664	2081 x 1980	705	770	705	770	705	770	705	770	965	1030	965	1030	N/A	N/A	N/A	N/A	N/A	N/A	1080	1145
6666	2081 x 2031	705	770	705	770	705	770	705	770	965	1030	965	1030	N/A	N/A	N/A	N/A	N/A	N/A	1080	1145
6670	2081 x 2184	705	770	705	770	705	770	705	770	965	1030	965	1030	N/A	N/A	N/A	N/A	N/A	N/A	1080	1145
61063	2183 x 1955	735	800	735	800	735	800	735	800	995	1060	995	1060	993	1058	993	1058	993	1058	1095	1160
61064	2183 x 1980	735	800	735	800	735	800	735	800	995	1060	995	1060	993	1058	993	1058	993	1058	1095	1160
61066	2183 x 2031	735	800	735	800	735	800	735	800	995	1060	995	1060	993	1058	993	1058	993	1058	1095	1160
61070	2183 x 2184	735	800	735	800	735	800	735	800	995	1060	995	1060	993	1058	993	1058	993	1058	1095	1160
7063	2234 x 1955	735	800	735	800	735	800	735	800	930	995	930	995	900	965	900	965	900	965	1040	1105
7064	2234 x 1980	675	735	675	705	675	735	675	705	930	995	930	995	900	965	900	965	900	965	1040	1105
7066	2234 x 2031	675	735	675	705	675	735	675	705	930	995	930	995	900	965	900	965	900	965	1040	1105
7070	2234 x 2184	675	735	680	710	675	735	680	710	930	995	930	995	900	965	900	965	900	965	1040	1105
7163	2259 x 1955	800	860	800	860	800	860	800	860	980	1045	980	1045	962	1027	962	1027	962	1027	1095	1160
7164	2259 x 1980	800	860	800	860	800	860	800	860	980	1045	980	1045	962	1027	962	1027	962	1027	1095	1160
7166	2259 x 2031	800	860	800	860	800	860	800	860	980	1045	980	1045	962	1027	962	1027	962	1027	1095	1160
7170	2259 x 2184	800	860	800	860	800	860	800	860	980	1045	980	1045	962	1027	962	1027	962	1027	1095	1160
7363	2309 x 1955	800	860	800	860	800	860	800	860	1050	1115	1050	1115	962	1027	962	1027	962	1027	1105	1170
7364	2309 x 1980	800	860	800	860	800	860	800	860	1050	1115	1050	1115	962	1027	962	1027	962	1027	1105	1170
7366	2309 x 2031	800	860	800	860	800	860	800	860	1050	1115	1050	1115	962	1027	962	1027	962	1027	1105	1170
7370	2309 x 2184	800	860	800	860	800	860	800	860	1050	1115	1050	1115	962	1027	962	1027	962	1027	1105	1170
7563	2359 x 1955	840	900	840	900	840	900	840	900	1100	1165	1100	1165	1038	1103	1038	1103	1038	1103	1115	1180
7564	2359 x 1980	840	900	840	900	840	900	840	900	1100	1165	1100	1165	1038	1103	1038	1103	1038	1103	1115	1180
7566	2359 x 2031	840	900	840	900	840	900	840	900	1100	1165	1100	1165	1038	1103	1038	1103	1038	1103	1115	1180
7570	2359 x 2184	840	900	840	900	840	900	840	900	1100	1165	1100	1165	1038	1103	1038	1103	1038	1103	1115	1180
7663	2386 x 1955	840	900	840	900	840	900	840	900	1100	1165	1100	1165	1038	1103	1038	1103	1038	1103	1115	1180
7664	2386 x 1980	840	900	840	900	840	900	840	900	1100	1165	1100	1165	1038	1103	1038	1103	1038	1103	1115	1180
7666	2386 x 2031	840	900	840	900	840	900	840	900	1100	1165	1100	1165	1038	1103	1038	1103	1038	1103	1115	1180
7670	2386 x 2184	840	900	840	900	840	900	840	900	1100	1165	1100	1165	1038	1103	1038	1103	1038	1103	1115	1180
8063	2538 x 1955	920	995	920	995	920	995	920	995	1120	1185	1120	1185	-	-	1100	1165	1100	1165	1125	1190
8064	2538 x 1980	920	995	920	995	920	995	920	995	1120	1185	1120	1185	-	-	1100	1165	1100	1165	1125	1190
8066	2538 x 2031	920	995	920	995	920	995	920	995	1120	1185	1120	1185	-	-	1100	1165	1100	1165	1125	1190
8070	2538 x 2184	920	995	920	995	920	995	920	995	1120	1185	1120	1185	-	-	1100	1165	1100	1165	1125	1190
9064	2844 x 1980	-	-	-	-	1215	1275	1215	1275	-	-	-	-	-	-	-	-	-	-	-	-
9066	2844 x 2031	-	-	-	-	1215	1275	1215	1275	-	-	-	-	-	-	-	-	-	-	-	-
9070	2844 x 2184	-	-	-	-	1215	1275	1215	1275	-	-	-	-	-	-	-	-	-	-	-	-
1064	3148 x 1980	-	-	-	-	-	1435	-	1435	-	-	-	-	-	-	-	-	-	-	-	-
1066	3148 x 2031	-	-	-	-	-	1435	-	1435	-	-	-	-	-	-	-	-	-	-	-	-
1070	3148 x 2184	-	-	-	-	-	1435	-	1435	-	-	-	-	-	-	-	-	-	-	-	-
Made to Measure		120	120	120	120	120	120	120	120	120	120	120	120	120	120	120	120	120	120	120	120
Single Frame		120	120	120	120	120	120	120	120	120	120	120	120	120	120	120	120	120	120	120	120
Colours		160	160	160	160	160	160	160	160	160	160	160	160	160	160	160	160	160	160	160	160
4 Point Locking		70	70	70	70	70	70	70	70	70	70	70	70	70	70	70	70	70	70	70	70
Col Match Window		-	-	-	-	-	-	-	-	-	-	-	-	-	-	-	-	-	-	-	-

SINGLE UP & OVER

OPTIONS

### COLOURS FOC - White RAL 9016, Black RAL 9005, Grey RAL 7016





# Composite Up & Over

**Frames:** Single door frames are pre-fitted to doors. Frames for double doors are supplied as a kit for on-site assembly.  
 Frames are available in a low maintenance finish in white / brown / black or a harmonising colour - please specify the required colour.

SIZES		WHITE OR MAGNOLIA GLOSS		WHITE OR MAGNOLIA GLOSS		WOODGRAIN		WOODGRAIN		WOODGRAIN		WOODGRAIN	
		RICHMOND		WEYBRIDGE		WOODSIDE		VERWOOD		KINGSTON		COBHAM	
Key: C: Canopy R: Retractable		C	R	C	R	C	R	C	R	C	R	C	R
Made to Measure in 5mm increments		WIDTHS											
MADE TO MEASURE	Up to 2134mm (7'0")	2105	2140	2105	2140	2105	2140	2105	2140	2105	2140	2105	2140
	Up to 2286mm (7'6")	2415	2450	2415	2450	2415	2450	2415	2450	2415	2450	2415	2450
	Up to 2438mm (8'0")	2490	2525	2490	2525	-	-	2490	2525	2490	2525	2490	2525
	Up to 2743mm (9'0")	-	2910	-	-	-	-	-	2910	-	-	-	2910
	Up to 3048mm (10'0")	-	3130	-	-	-	-	-	3130	-	-	-	3130
	Up to 3353mm (11'0")	-	3410	-	-	-	-	-	3410	-	-	-	3410
	Up to 3658mm (12'0")	-	3800	-	-	-	-	-	3800	-	-	-	3800
	Up to 3962mm (13'0")	-	3945	-	-	-	-	-	3945	-	-	-	3945
	Up to 4267mm (14'0")	-	4020	-	4020	-	-	-	4020	-	4020	-	4020
			<b>MtoM single widths:</b> 2032mm (6'8") to 2540mm (8'4") <b>MtoM single heights:</b> 1880mm (6'2") to 2286mm (7'6") <b>MtoM double widths:</b> 2743mm (9'0") to 4267mm (14'0") <b>MtoM double heights:</b> 1930mm (6'4") to 2286mm (7'6")		<b>MtoM single widths:</b> 2032mm (6'8") to 2438mm (8'0") <b>MtoM single heights:</b> 1880mm (6'2") to 2134mm (7'0") <b>MtoM double widths:</b> 4115mm (13'6") to 4267mm (14'0") <b>MtoM double heights:</b> 1930mm (6'4") to 2134mm (7'0")		<b>MtoM single widths:</b> 1829mm (6'0") to 2286mm (7'6") <b>MtoM single heights:</b> 1880mm (6'2") to 2438mm (8'0")		<b>MtoM widths:</b> 1524mm (5'0") to 4267mm (14'0") <b>MtoM heights:</b> 1880mm (6'2") to 2286mm (7'6")		<b>MtoM widths:</b> 2134mm (7'0") to 2540mm (8'4") <b>MtoM heights:</b> 1982mm (6'6") Tall Sizes to 2286mm (7'6") <b>MtoM double widths:</b> 4267mm (14'0") to 4267mm <b>MtoM double heights:</b> 2134mm (7'0") to 2286mm (7'6")		<b>MtoM widths:</b> 2032mm (6'8") to 2438mm (8'0") <b>MtoM heights:</b> 1880mm (6'2") to 2286mm (7'6") <b>MtoM double widths:</b> 2540mm (8'4") to 4267mm (14'0") <b>MtoM double heights:</b> 1930mm (6'4") to 2134mm (7'0")
WINDOWS	Black Mock Single	210*	Included	-	-	-	-	-	-	-	-	210*	
	Black Mock Double	420*	Included	-	-	-	-	-	-	-	-	420*	
	Clear or Stippled Single	420*	515	-	-	-	-	-	-	-	-	420*	
	Clear or Stippled Double	910*	960	-	-	-	-	-	-	-	-	910*	
OPTIONS	50mm Steel Single Frame	190	190	190	190	190	190	190	190	190	190	190	
	50mm Steel Double Frame	270	270	270	270	270	270	270	270	270	270	270	
	4 Point Lock	70	70	70	70	70	70	70	70	70	70	70	

\*Specify leading requirement - diamond or square

## COLOURS

### STANDARD GLOSS COLOURS - £ Included



White



Magnolia

### PREMIUM WOODGRAIN COLOURS - Add £300



Blue



Green



Red

### STANDARD WOODGRAIN COLOURS - £ Included



White



Magnolia



Bleached Oak



Irish Oak



Dark Oak



Honey Beech



Teak



Anthracite Grey



Red Mahogany



Light Oak



Dark Mahogany



Rosewood



Ebony



Golden Brown

### OR ANY RAL COLOUR!



Add £450

# Composite Up & Over

**Frames:** Single door frames are pre-fitted to doors. Frames for double doors are supplied as a kit for on-site assembly. Frames are available in a low maintenance finish in white / brown / black or a harmonising colour - please specify the required colour.

SIZES		WOODGRAIN		WOODGRAIN		WOODGRAIN		WOODGRAIN		WOODGRAIN		WOODGRAIN	
		BROCKHAM		LINGFIELD		BETCHWORTH		SUNBURY		ASHTEAD		ASHTEAD TALL	
Key: C: Canopy R: Retractable		Made to Measure in 5mm increments											
WIDTHS		C	R	C	R	C	R	C	R	C	R		
MADE TO MEASURE	Up to 2134mm (7'0")	2105	2140	2475	2510	2475	2510	2475	2510	2105	2140	-	2330
	Up to 2286mm (7'6")	2415	2450	2530	2565	2530	2565	2530	2565	2415	2450	-	2615
	Up to 2438mm (8'0")	2490	2525	2600	2635	2600	2635	2600	2635	2490	2525	-	2615
	Up to 2743mm (9'0")	-	-	-	-	-	-	-	-	-	-	-	-
	Up to 3048mm (10'0")	-	-	-	-	-	-	-	-	-	-	-	-
	Up to 3353mm (11'0")	-	-	-	-	-	-	-	-	-	-	-	-
	Up to 3658mm (12'0")	-	-	-	-	-	-	-	-	-	-	-	-
	Up to 3962mm (13'0")	-	-	-	-	-	-	-	-	-	-	-	-
	Up to 4267mm (14'0")	-	4020	-	4050	-	4050	-	4050	-	4020	-	-
		<b>MtoM widths:</b> 1981mm (6'6") to 2388mm (7'10") <b>MtoM heights:</b> 1981mm (6'6") to 2134mm (7'0") <b>MtoM double widths:</b> 4115mm (13'6") to 4267mm (14'0") <b>MtoM double heights:</b> 1981mm (6'6") to 2134mm (7'0")		<b>MtoM widths:</b> 2134mm (7'0") to 2438mm (8'0") <b>MtoM heights:</b> 2134mm (7'0") to 2286mm (7'6") <b>MtoM double widths:</b> 4267mm (14'0") to 4724mm (15'6") <b>MtoM double heights:</b> 2134mm (7'0") to 2286mm (7'6")		<b>MtoM widths:</b> 2134mm (7'0") to 2134mm (7'0") <b>MtoM heights:</b> 2185mm (7'2") to 2438mm (8'0") (Canopy 2234mm to 2438mm) <b>MtoM heights:</b> 1931mm (6'4") to 2134mm (7'0") <b>MtoM double widths:</b> 4267mm (14'0") to 4267mm (14'0") <b>MtoM double heights:</b> 1931mm (6'4") to 2134mm (7'0")		<b>MtoM widths:</b> 2032mm (6'8") to 2438mm (8'0") <b>MtoM heights:</b> 1880mm (6'2") to 2134mm (7'0") <b>MtoM double widths:</b> 4115mm (13'6") to 4267mm (14'0") <b>MtoM double heights:</b> 1981mm (6'6") to 2134mm (7'0")		<b>MtoM widths:</b> 2083mm (6'10") to 2438mm (8'0") <b>MtoM heights:</b> 2134mm (7'0") to 2438mm (8'0")			
WINDOWS	Black Mock Single	-	-	-	-	Included	-	Included	-	-	-	-	
	Black Mock Double	-	-	-	-	Included	-	Included	-	-	-	-	
	Clear or Stippled Single	-	-	Included	-	565	-	-	-	-	-	-	
	Clear or Stippled Double	-	-	Included	-	1130	-	-	-	-	-	-	
OPTIONS	50mm Steel Single Frame	190	-	190	-	190	-	190	-	190	-	190	
	50mm Steel Double Frame	270	-	270	-	270	-	270	-	270	-	270	
	4 Point Lock	70	-	70	-	70	-	70	-	70	-	70	

## COMPOSITE RANGE

- Composite Doors** in made to measure sizes, featuring a corrosion protected steel chassis to provide added strength and rigidity. Available with canopy or retractable gear. Available with window options where applicable.
- Chassis Colour** White doors will come on a white chassis, ebony woodgrain doors on black chassis and all other woodgrain colours on brown chassis. Anthracite, Red, Green and Blue colours on a white or black chassis.

## HANDLE

- Black Die Cast Handle £45

## FRAMES

Single door frames are pre-fitted to doors. Frames for double doors are supplied as a kit for on-site assembly. Frames are available in a low maintenance finish in white / brown / black.

## TOP & BOTTOM RAILS & END STILES

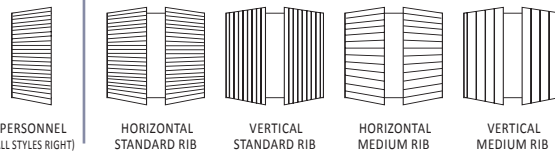
Top, bottom and end stiles (edges) may vary in width or height between doors of the same style depending on size ordered. This is to enable us to cater for your particular size of garage door. If in doubt, please refer to Fort before ordering.

# Classic Steel Side Hinged

Overall size includes frame  
Made to Measure - Next size up

## STANDARD SIZES

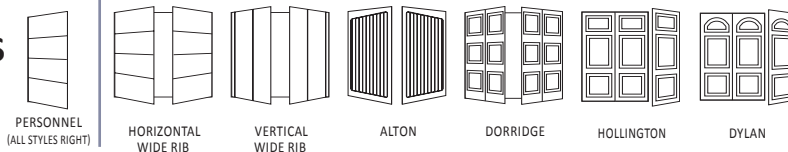
### STYLES



Width x Height (mm x mm)		PERSONNEL		SIDE HINGED								
HEIGHT		WIDTH		800	1000	1900	2150	2250	2300	2400	2600	2750
		Up to 2040mm	White, Grey & Black Standard Colour Options	474	592	969	1097	1148	1173	1224	1326	1403
Up to 2190mm	White, Grey & Black Standard Colour Options	509	636	1041	1178	1232	1260	1314	1424	1506		
Up to 2340mm	White, Grey & Black Standard Colour Options	543	679	1112	1258	1317	1346	1404	1521	1609		
		562	702	1268	1434	1501	1534	1601	1734	1834		

## STANDARD SIZES

### STYLES

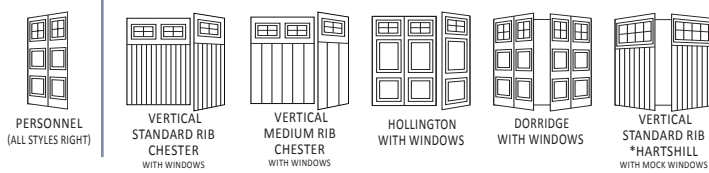


Width x Height (mm x mm)		PERSONNEL		SIDE HINGED								
HEIGHT		WIDTH		800	1000	1900	2150	2250	2300	2400	2600	2750
		Up to 2040mm	White, Grey & Black Standard Colour Options	539	674	1066	1207	1263	1291	1347	1459	1543
Up to 2190mm	White, Grey & Black Standard Colour Options	579	723	1145	1295	1356	1386	1446	1566	1657		
Up to 2340mm	White, Grey & Black Standard Colour Options	618	773	1223	1384	1448	1481	1545	1674	1770		
		646	808	1312	1485	1554	1588	1657	1795	1899		

## STANDARD SIZES

### STYLES

\*HARTSHILL NOT AVAILABLE IN PERSONNEL



Width x Height (mm x mm)		PERSONNEL		SIDE HINGED								
HEIGHT		WIDTH		800	1000	1900	2150	2250	2300	2400	2600	2750
		Up to 2040mm	White, Grey & Black Standard Colour Options	621	776	1318	1492	1561	1596	1665	1804	1908
Up to 2190mm	White, Grey & Black Standard Colour Options	666	833	1415	1601	1676	1713	1788	1936	2048		
Up to 2340mm	White, Grey & Black Standard Colour Options	712	890	1512	1711	1791	1830	1910	2069	2188		
		740	925	1668	1887	1975	2019	2106	2282	2414		

### WINDOWS

- With plastic Perspex:  
up to 8ft = 3 windows  
up to 10ft = 4 windows  
Dorridge up to 8ft = 4 windows

Please enquire about other sizes.

- Windows styles:  
Plain, Stockton Cross or Waterford
- Windows glazing:  
Stippled, Clear or Black Mock

- Window Inserts:  
White as standard
- Matching window inserts  
- add £160

### HANDLE

- Black Die Cast Handle £45

### EXTRAS

- Door Stays £75

### COLOURS FOC - White RAL 9016, Black RAL 9005, Anthracite Grey RAL 7016



RAL colours: price on application

### Minimums & Maximums Side Hinged

HORIZONTAL STANDARD, MEDIUM & WIDE RIB			
1/3 2/3	Min Width	1400	
50/50	Min Width	1400	
1/3 2/3	Max Width	2438	
50/50	Max Width	2650	
1/3 2/3	Min Height	1500	
50/50	Min Height	1500	
1/3 2/3	Max Height	2286	
50/50	Max Height	2286	

CHESTER, VERTICAL STAND, MEDIUM & WIDE RIB			
1/3 2/3	Min Width	1800	
50/50	Min Width	2362	
1/3 2/3	Max Width	2438	
50/50	Max Width	2650	
1/3 2/3	Min Height	1600	
50/50	Min Height	1600	
1/3 2/3	Max Height	2286	
50/50	Max Height	2286	

ALTON			
50/50 Only	Min width	1600	
50/50 Only	Max width	2650	
50/50 Only	Min Height	1500	
50/50 Only	Max Height	2286	

HARTSHILL			
50/50 Only	Min width	1981	
50/50 Only	Max width	2590	
50/50 Only	Min Height	2286	
50/50 Only	Max Height	2286	

DORRIDGE			
50/50 Only	Min width	1905	
50/50 Only	Max width	2286	
50/50 Only	Min Height	1905	
50/50 Only	Max Height	2134	

HOLLINGTON & DYLAN			
1/3 2/3 Only	Min width	2083	
1/3 2/3 Only	Max width	2438	
1/3 2/3 Only	Min Height	1905	
1/3 2/3 Only	Max Height	2134	

### Minimums & Maximums Personnel

HORIZONTAL STANDARD, MEDIUM & WIDE RIB			
	Min Width	400	
	Max Width	1000	
	Min Height	400	
	Max Height	2286	

CHESTER, VERTICAL STANDARD, MEDIUM & WIDE RIB			
	Min Width	600	
	Max Width	1000	
	Min Height	1600	
	Max Height	2286	

ALTON			
	Min Width	760	
	Max Width	1000	
	Min Height	1600	
	Max Height	2286	

DORRIDGE, HOLLINGTON & DYLAN			
	Min Width	600	
	Max Width	1000	
	Min Height	1905	
	Max Height	2134	

† NB: Frame sizes do not include any fitting tolerances - this must be allowed for if required



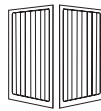
## STYLES



PERSONNEL  
(ALL STYLES RIGHT)



HORIZONTAL  
STANDARD RIB



VERTICAL  
STANDARD RIB



HORIZONTAL  
MEDIUM RIB



VERTICAL  
MEDIUM RIB



HORIZONTAL  
WIDE RIB



VERTICAL  
WIDE RIB

## STANDARD SIZES

Width x Height (mm x mm)		PERSONNEL			SIDE HINGED									
		WIDTH			800	1000	1320	1900	2150	2250	2300	2400	2600	2750
HEIGHT	Up to 2040mm	White, Grey & Black	497	621	819	1179	1334	1396	1427	1489	1613	1706		
		Standard Colour Options	554	692	913	1314	1487	1557	1591	1660	1799	1902		
HEIGHT	Up to 2190mm	White, Grey & Black	533	666	879	1265	1432	1498	1532	1598	1731	1831		
		Standard Colour Options	594	743	980	1411	1597	1671	1708	1782	1931	2042		
HEIGHT	Up to 2340mm	White, Grey & Black	570	712	939	1352	1530	1601	1637	1708	1850	1957		
		Standard Colour Options	635	7	1048	1508	1706	1785	1825	1904	2063	2182		

## STYLES



PERSONNEL  
(ALL STYLES RIGHT)



HORIZONTAL  
WIDE RIB  
WESTHILL  
WITH PULL HANDLES



VERTICAL  
MEDIUM RIB  
WESTHILL  
WITH PULL HANDLES

## STANDARD SIZES

Width x Height (mm x mm)		PERSONNEL			SIDE HINGED									
		WIDTH			800	1000	1320	1900	2150	2250	2300	2400	2600	2750
HEIGHT	Up to 2040mm	White, Grey & Black	588	735	970	1318	1492	1561	1596	1665	1804	1908		
		Standard Colour Options	645	806	1064	1454	1645	1722	1760	1836	1989	2104		
HEIGHT	Up to 2190mm	White, Grey & Black	631	789	1041	1415	1601	1676	1713	1788	1936	2048		
		Standard Colour Options	693	866	1142	1561	1766	1848	1889	1971	2136	2259		
HEIGHT	Up to 2340mm	White, Grey & Black	674	843	1112	1512	1711	1791	1830	1910	2069	2188		
		Standard Colour Options	740	925	1221	1668	1887	1975	2019	2106	2282	2414		

## STYLES



PERSONNEL  
(ALL STYLES RIGHT)



VERTICAL  
STANDARD RIB  
CHESTER  
WITH WINDOWS



VERTICAL  
MEDIUM RIB  
CHESTER  
WITH WINDOWS



VERTICAL  
STANDARD RIB  
HARTSHILL\*  
WITH STIPPLED WINDOWS

\*HARTSHILL ONLY  
AVAILABLE 50/50 SPLIT  
STANDARD RIB VERTICAL

## STANDARD SIZES

Width x Height (mm x mm)		PERSONNEL			SIDE HINGED									
		WIDTH			800	1000	1320	1900	2150	2250	2300	2400	2600	2750
HEIGHT	Up to 2040mm	White, Grey & Black	671	839	1107	1594	1803	1887	1929	2013	2180	2306		
		Standard Colour Options	728	910	1201	1729	1957	2048	2093	2184	2366	2503		
HEIGHT	Up to 2190mm	White, Grey & Black	721	901	1189	1711	1936	2026	2071	2161	2341	2476		
		Standard Colour Options	782	977	1290	1856	2100	2198	2247	2345	2540	2687		
HEIGHT	Up to 2340mm	White, Grey & Black	770	962	1270	1828	2068	2164	2213	2309	2501	2645		
		Standard Colour Options	835	1044	1378	1983	2244	2349	2401	2505	2714	2871		

### HANDLE

- Black Lever Handle as standard

### HINGES

- Black as standard

### EXTRAS

- Door Stays £75
- Threshold £150

### Minimums & Maximums Side Hinged

1/3 2/3	Min width	1500
50/50	Min width	1500
1/3 2/3	Max width	2438
50/50	Max width	2650
1/3 2/3	Min Height	1500
50/50	Min Height	1500
1/3 2/3	Max Height	2286
50/50	Max Height	2286

### Minimums & Maximums Personnel

Min width	600
Max width	1320
Min Height	1500
Max Height	2286

† NB: Frame sizes do not include any fitting tolerances - this must be allowed for if required

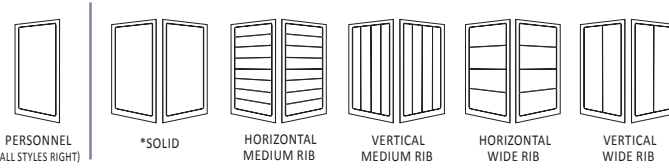
### COLOURS FOC - White RAL 9016, Black RAL 9005, Grey RAL 7016

Traffic White RAL9016	Signal Grey RAL7004	Dusty Grey RAL7037	Traffic Grey RAL7042	Light Grey RAL7035	Window Grey RAL7040	Basalt Grey RAL7012	Pebble Grey RAL7032	Iron Grey RAL7011	Slate Grey RAL7015	Graphite Grey RAL7024	Anthracite Grey RAL7016	Agate Grey RAL7038
Black Grey RAL7021	Jet Black RAL9005	Steel Blue RAL5011	Cobalt Blue RAL5013	Sky Blue RAL5015	Gentian Blue RAL5010	Signal Blue RAL5005	Light Blue RAL5012	Moss Green RAL6005	Fir Green RAL6009	Chartwell Green BS 14 C 35	Ruby Red RAL3003	Traffic Red RAL3020
Chocolate Brown RAL8017	Clay Brown RAL8003	Mahogany Brown RAL8016	Light Ivory RAL1015	Cream RAL9001	Traffic Yellow RAL1023							

RAL colours: price on application

Overall size includes frame  
Made to Measure - Next size up

## STYLES



## STANDARD SIZES

Width x Height (mm x mm)		PERSONNEL				SIDE HINGED									
		WIDTH				800	1000	1320	1900	2150	2250	2300	2400	2600	2750
HEIGHT	Up to 2040mm	White, Grey & Black	710	888	1172	1687	1908	1997	2042	2130	2308	2441			
		Standard Colour Options	768	959	1266	1822	2062	2158	2206	2302	2493	2637			
HEIGHT	Up to 2190mm	White, Grey & Black	763	953	1258	1811	2049	2144	2192	2287	2477	2620			
		Standard Colour Options	824	1030	1359	1956	2213	2316	2368	2471	2677	2831			
HEIGHT	Up to 2340mm	White, Grey & Black	815	1018	1344	1935	2189	2291	2342	2443	2647	2800			
		Standard Colour Options	880	1100	1452	2090	2365	2475	2530	2640	2860	3025			

## STYLES



## STANDARD SIZES

Width x Height (mm x mm)		PERSONNEL				SIDE HINGED									
		WIDTH				800	1000	1320	1900	2150	2250	2300	2400	2600	2750
HEIGHT	Up to 2040mm	White, Grey & Black	898	1122	1482	2132	2413	2525	2581	2693	2918	3086			
		Standard Colour Options	955	1194	1576	2268	2566	2686	2745	2865	3103	3282			
HEIGHT	Up to 2190mm	White, Grey & Black	964	1205	1590	2289	2590	2711	2771	2891	3132	3313			
		Standard Colour Options	1025	1282	1692	2435	2755	2883	2947	3075	3331	3524			
HEIGHT	Up to 2340mm	White, Grey & Black	1030	1287	1699	2446	2768	2896	2961	3089	3347	3540			
		Standard Colour Options	1096	1369	1807	2601	2944	3081	3149	3286	3560	3765			

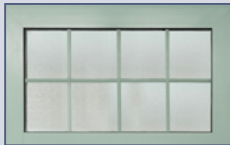
TRADITIONAL AVAILABLE IN MID RIB / WIDE RIB HORIZONTAL OR VERTICAL & SOLID PANEL



DOOR STAYS ARE INCLUDED AS STANDARD ON DOUBLE LEAF INSULATED DOORS.

### WINDOWS

- All styles are available with a traditional style double glazed top section with colour matched inserts in stippled or clear glazing. Traditional glazing is only available on 50:50 split doors.



- Square port hole windows £140 per window

- Windows glazing: Stippled or clear
- Window Inserts - White as standard
- Matching window inserts - add £160

### HANDLES

- Chrome as standard

- Black FOC
- White FOC
- Bronze £50
- Gold £50
- Antique Black £50
- Anthracite £50
- Graphite £50
- Satin £50
- Brushed Steel £50
- Chrome Smart Lock £380



### ROLLER BALL LOCKING AND PULL BARS:

- 1200mm Pull Bar £330
- 1600mm Pull Bar £400

### EXTRAS

- 3 Point Locking £345
- Opening IN £110
- 3 Star Anti Snap Lock £90

### Minimums & Maximums Side Hinged

1/3 2/3	Min width	1500
50/50	Min width	1500
1/3 2/3	Max width	2438
50/50	Max width	2650
1/3 2/3	Min Height	1500
50/50	Min Height	1500
1/3 2/3	Max Height	2286
50/50	Max Height	2286

### Minimums & Maximums Personnel

Min width	600
Max width	1320
Min Height	1500
Max Height	2286

† NB: Frame sizes do not include any fitting tolerances - this must be allowed for if required

### COLOURS FOC - White RAL 9016, Black RAL 9005, Grey RAL 7016



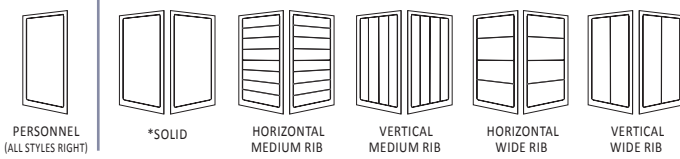
RAL colours: price on application

# Pro Therma Side Hinged

\*SOLID PANEL, COLESHILL, KINGSBURY, TRADITIONAL, & WHITACRE NOT AVAILABLE IN 1/3 2/3

Overall size includes frame  
Made to Measure - Next size up

## STYLES



## STANDARD SIZES

Width x Height (mm x mm)		PERSONNEL				SIDE HINGED									
		WIDTH				800	1000	1320	1900	2150	2250	2300	2400	2600	2750
HEIGHT	Up to 2040mm	All colours	955	1194	1576	2268	2566	2686	2745	2865	3103	3282			
	Up to 2190mm	All colours	1025	1282	1692	2435	2755	2883	2947	3075	3331	3524			
	Up to 2340mm	All colours	1096	1369	1807	2601	2944	3081	3149	3286	3560	3765			

## STYLES



## STANDARD SIZES

Width x Height (mm x mm)		PERSONNEL				SIDE HINGED									
		WIDTH				800	1000	1320	1900	2150	2250	2300	2400	2600	2750
HEIGHT	Up to 2040mm	All colours	1055	1318	1740	2504	2834	2966	3032	3163	3427	3625			
	Up to 2190mm	All colours	1132	1415	1868	2689	3042	3184	3254	3396	3679	3891			
	Up to 2340mm	All colours	1210	1512	1996	2873	3251	3402	3477	3628	3931	4158			

TRADITIONAL AVAILABLE IN MID RIB / WIDE RIB HORIZONTAL OR VERTICAL & SOLID PANEL



DOOR STAYS ARE INCLUDED AS STANDARD ON DOUBLE LEAF INSULATED DOORS.

### WINDOWS

- All styles are available with a traditional style double glazed top section with colour matched inserts in stippled or clear glazing. Traditional glazing is only available on 50:50 split doors.



- Square port hole windows £140 per window

- Windows glazing: Stippled or clear
- Window Inserts - White as standard
- Matching window inserts - add £160

### HANDLES

- Chrome as standard
- Black FOC
- White FOC
- Bronze FOC
- Gold FOC
- Antique Black FOC
- Anthracite FOC
- Graphite FOC
- Satin FOC
- Brushed Steel FOC
- Chrome Smart Lock £380



### ROLLER BALL LOCKING AND PULL BARS:

- 1200mm Pull Bar £330
- 1600mm Pull Bar £400

### EXTRAS

- 3 Point Locking FOC
- Opening IN £110
- 3 Star Anti Snap Lock FOC

### Minimums & Maximums Side Hinged

1/3 2/3	Min width	1500
50/50	Min width	1500
1/3 2/3	Max width	2438
50/50	Max width	2650
1/3 2/3	Min Height	1500
50/50	Min Height	1500
1/3 2/3	Max Height	2286
50/50	Max Height	2286

### Minimums & Maximums Personnel

Min width	600
Max width	1320
Min Height	1500
Max Height	2286

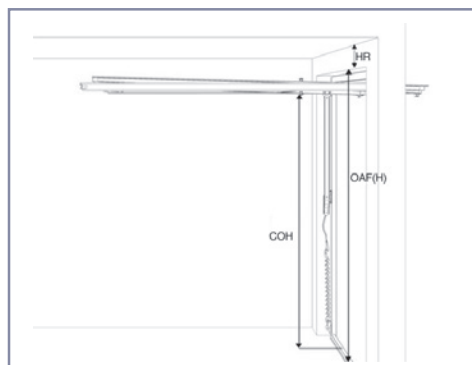
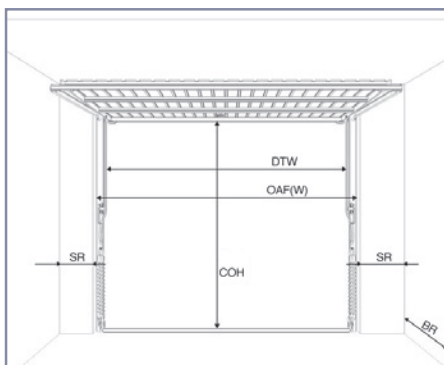
† NB: Frame sizes do not include any fitting tolerances - this must be allowed for if required

## COLOURS



RAL colours: price on application

## FRAMED RETRACTABLE DOORS ALL SIZES



### Frame size

All doors up to 10' wide 50mm per side and 50mm cross bar.  
 All doors over 10' wide 50mm per side and 50mm cross bar.

- DTW = Door size less 38mm per side.
- OAF(W) = Door and frame size combined.
- SR = Side room - only important if frame is fitted behind the brickwork when 100mm per side is required (frame + brackets).
- BR = 7ft high door 1.950m (from back of frame )  
 6'6" high 1.850m (from back of frame) (manual operation).
- Threshold strip 32mm high (for smart pass doors).
- Wicket door 900mm walk through (7ft wide doors and over).
- OAF(H) = Door height plus 50mm frame.
- COH = Frame opening height less 100mm.
- HR = 0mm
- Kick out - Refers to the out swing of the door - maximum 1200mm.

All sizes exclude fitting tolerances and these should be assessed on site depending on the application, a recommendation is 8-10mm per side.

## FRAMED CANOPY DOORS ALL SIZES

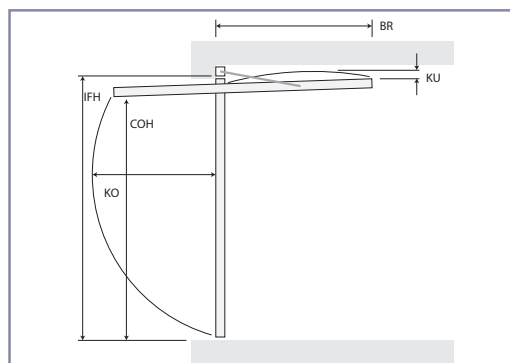
### Frame size

All doors up to 9' wide 50mm per side and 50mm cross bar.

- IFH = Internal frame height.
- COH = Clear opening height.
- KU = Kick up above underside of frame.
- KO = Kick out from front edge of frame.
- BR = Back room requirement.

### Order Height

Order Height	IFH	COH	KU	KO	BR
6'4"	1940	1775	55	665	1280
6'6"	1980	1795	55	705	1280
6'10"	2080	1895	55	805	1280
7'	2135	1950	55	860	1280



Presented by:

January 2025



Fort Doors, Unit 19, The Fort Industrial Park,  
 Dunlop Way, Birmingham B35 7AR

Tel: 0121 749 3699

Fax: 0121 748 2677

e-mail: [sales@fortdoors.co.uk](mailto:sales@fortdoors.co.uk)

web: [fortdoors.co.uk](http://fortdoors.co.uk)

Fort Doors reserves the right to alter specifications to design and manufacture without notification. All specifications are correct at time of publication, errors and omissions excepted. Colour samples are, due to the print process, intended as a guide only, please request a sample if unsure.